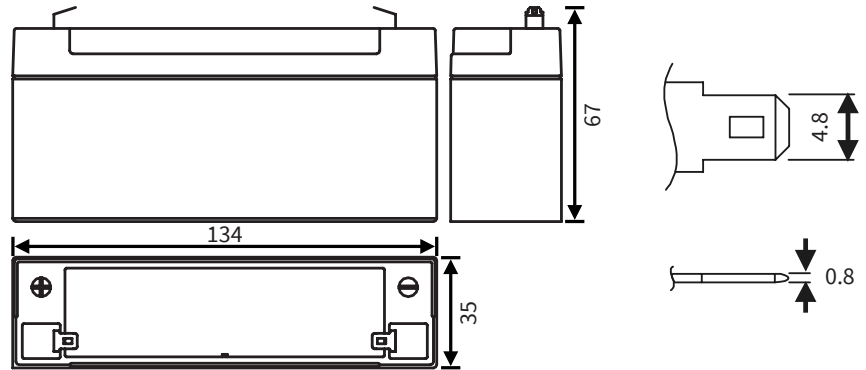


## CP 3.2-6

## Multi purpose AGM battery

Dimensions (mm)

Standard terminal (mm)



### Typical applications

- Security systems
- Measuring equipment
- Emergency lighting
- UPS systems
- Telecom systems
- Medical equipment
- Control panels
- Electronic instruments

### Features

- Valve Regulated Lead Acid (VRLA)
- Absorbent Glass Mat Technology (AGM)
- High current drain grid resistant to corrosion by virtue of a lead-calcium alloy
- Maintenance free
- Classified as non-spillable under IATA, ADR and IMDG regulations
- Can be discharged or stored in any position without leakage
- Battery cannot be charged while upside down
- Produced under ISO 9001 & ISO 14001

Nominal voltage	6 V
Nominal capacity (1.70V/c, 25°C)	20Hr: 3.20 Ah
	5Hr: 2.75 Ah
	1Hr: 2.00 Ah
Internal resistance	≤28mΩ (fully charged)
Maximum charge current	0.96 A
Maximum discharge current	48 A (max. 5 sec)
Float use / cyclic use	6.80 - 6.90V / 7.25 - 7.45V
Charge temperature range	-10°C ~ 50°C
Discharge temperature range	-15°C ~ 50°C
Design life (20°C)	3-5 years (Eurobat)
Standard terminal	Faston 4.8mm (T1)
Housing material	ABS (UL94-HB)
Dimensions Length	134 mm
Dimensions Width	35 mm
Dimensions Height	67 mm
Approximate Weight	0.60 kg
Packing	20 pcs / box

### Constant Current Discharge (Amps) at 25°C (77°F)

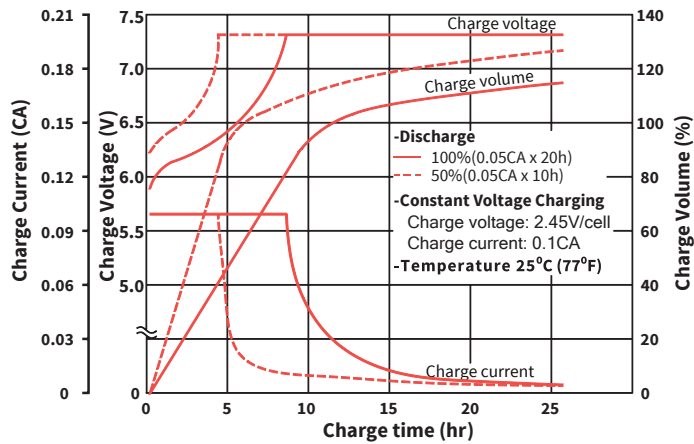
F.V/TIME	5 Min	10 Min	15 Min	30 Min	60 Min	2 Hr	5 Hr	10 Hr	20 Hr
1.80V/cell	10.2	6.45	5.23	3.03	1.90	1.08	0.53	0.29	0.15
1.75V/cell	10.8	6.84	5.52	3.14	1.96	1.10	0.54	0.30	0.16
1.70V/cell	11.3	7.14	5.72	3.22	2.00	1.12	0.55	0.30	0.16
1.65V/cell	11.8	7.45	5.93	3.32	2.05	1.13	0.55	0.30	0.16
1.60V/cell	12.2	7.68	6.08	3.39	2.08	1.14	0.55	0.30	0.16

### Constant Power Discharge (Watts) per Cell\* at 25°C (77°F)

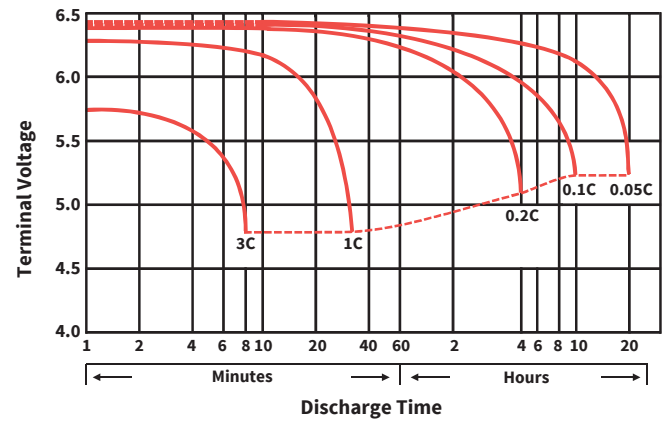
F.V/TIME	5 Min	10 Min	15 Min	30 Min	60 Min	2 Hr	5 Hr	10 Hr	20 Hr
1.80V/cell	9,500	6,067	4,967	2,900	1,833	1,048	0,525	0,292	0,157
1.75V/cell	10,067	6,433	5,250	3,000	1,883	1,075	0,542	0,298	0,160
1.70V/cell	10,517	6,717	5,433	3,083	1,933	1,092	0,545	0,300	0,162
1.65V/cell	10,967	7,000	5,633	3,167	1,983	1,102	0,548	0,302	0,162
1.60V/cell	11,317	7,217	5,783	3,233	2,000	1,108	0,552	0,302	0,162

\*: Battery consists of 6 cells

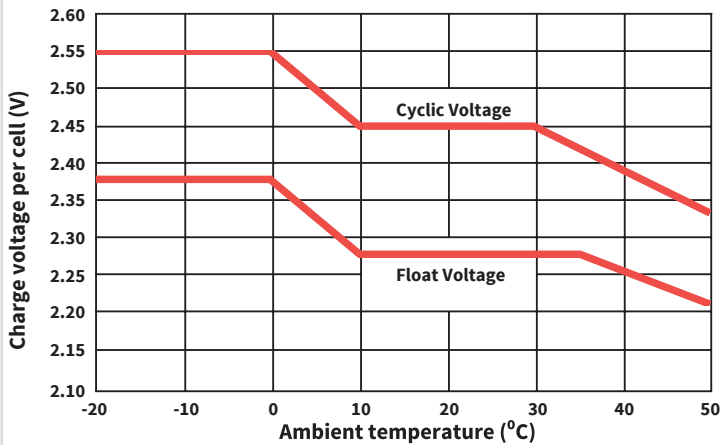
## Charge characteristics



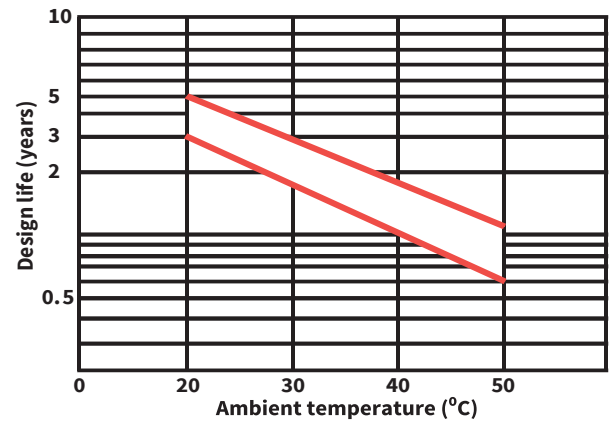
## Discharge characteristics



## Charge voltage in relation to temperature



## Service life in relation to temperature



## Models available

Model	Voltage	Capacity (Ah)	Dimensions (mm)	Weight (kg)
CP 1.2-6	6	1.2	97x24x58	0.28
CP 3.2-6	6	3.2	134x35x67	0.60
CP 3.5-6	6	3.5	194x25x56	0.60
CP 4-6	6	4.0	70x47x107	0.68
CP 7-6	6	7.0	151x34x100	1.15
CP 12-6	6	12	151x50x100	1.80
CP 0.8-12	12	0.8	96x25x62	0.40
CP 1.2-12 *	12	1.2	97x43x58	0.52
CP 2-12M	12	2.0	150x20x90	0.68
CP 2.2-12 *	12	2.2	178x34x66	1.04
CP 2.9-12	12	2.9	79x56x105	1.05
CP 3.2-12 *	12	3.2	134x67x67	1.30
CP 4.5-12	12	4.5	195x47x76	1.58
CP 7-12 *	12	7.0	151x65x102	2.20
CP 7-12L *	12	7.0	151x65x102	2.20
CP 12-12 *	12	12	151x98x98	4.02
CP 18-12I *	12	18	181x76x167	5.60
CP 20-12B	12	20	181x76x167	5.95
CP 26-12I *	12	26	166x175x125	9.30
CP 40-12I *	12	40	197x165x170	12.80
CP 65-12 *	12	65	350x167x179	20.80

\*: VdS approved battery

## VdS approved VRLA batteries

The VdS-approved Cellpower batteries form a special range that has been tested and qualified by the German VdS institute. The concept behind VdS recognition; ensuring tested and certified quality in the products and services being offered in the safety and security markets, is of equally advantageous for user and supplier. Safety and security systems are approved by the VdS and monitored in subsequent use to protect property and life and help to keep a insurance premiums lower.

### Typical applications:

- VdS approved alarm systems
- Fire & burglar alarm systems

## Cellpower family

Cellpower supplies a broad range of reliable AGM, GEL and Lithium batteries. Each product series has its own unique characteristics, so that there is a suitable battery for every application with its associated specific usage profile. Combined with the right Cellpower battery accessories, you are able to assemble a high-quality and reliable battery system.

