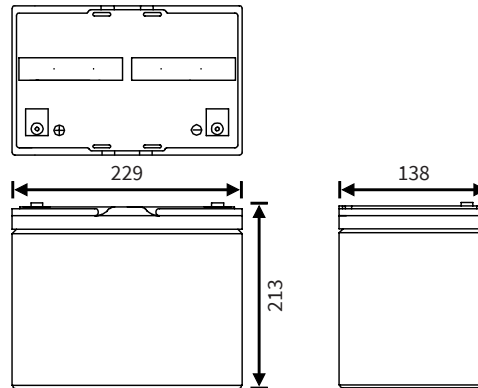


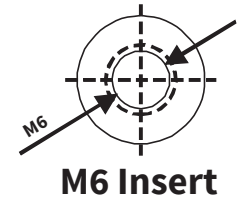
CPH 55-12

Stand by battery

Dimensions (mm)



Standard terminal



No image available at this time

Typical applications

- UPS systems
- Data centers
- Telecom systems
- Security systems
- Emergency lighting
- Air traffic power stations
- Medical equipment
- Solar energy

Features

- Valve Regulated Lead Acid (VRLA)
- Maintenance free
- Absorbent Glassmat Technology (AGM)
- Built to comply with DIN 43534, IEC8962, BS6290-pt.4
- Low self discharge
- Classified as non-spillable under IATA, ADR and IMDG regulations
- Can be discharged or stored in any position without leakage
- Battery cannot be charged while upside down
- Produced under ISO 9001 & ISO 14001

Nominal voltage	12 V
Nominal capacity (1.80V/c, 25°C)	20Hr: 58.0 Ah 10Hr: 55.0 Ah
Nominal power (1.60V/c, 25°C)	10Min: 275.0 W/cell
Internal resistance	≤6.0mΩ (fully charged)
Maximum charge current	17.4 A
Maximum discharge current	550 A (max. 5 sec)
Float use / cyclic use	2.40-2.45VPC
Self discharge	Lower than 3% per month
Operating temperature range	-20°C ~ 60°C
Designlife (20°C)	10-12 years in float (Eurobat)
Standard terminal	Insert M6 (8.5 Nm Torque)
Housing material	ABS (UL 94-HB)
Dimensions Length	229 mm
Dimensions Width	138 mm
Dimensions Height	213 mm
Approximate Weight	17.0 kg
Packing	1 pcs / box

Constant Current Discharge (Amps) at 25 °C (77°F)

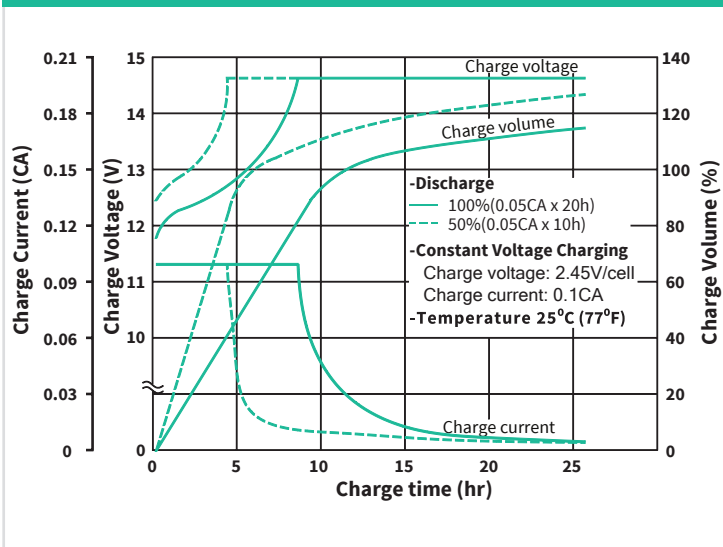
FV/TIME	3 Min	5 Min	10 Min	15 Min	20 Min	25 Min	30 Min	45 Min	60 Min
1.80V/cell	248,0	183,0	125,0	99,0	85,0	72,9	65,1	50,0	39,7
1.75V/cell	261,0	195,0	138,0	108,0	92,0	79,6	69,5	52,0	41,1
1.70V/cell	283,0	213,0	147,0	113,0	95,0	82,2	71,7	53,2	41,6
1.67V/cell	294,0	228,0	154,0	115,0	96,0	83,0	72,3	53,5	41,9
1.65V/cell	301,0	238,0	159,0	116,0	97,0	83,5	72,8	53,6	42,2
1.60V/cell	315,0	248,0	164,0	119,0	99,0	84,1	73,3	54,1	42,6

Constant Power Discharge (Watts) per Cell* at 25 °C (77°F)

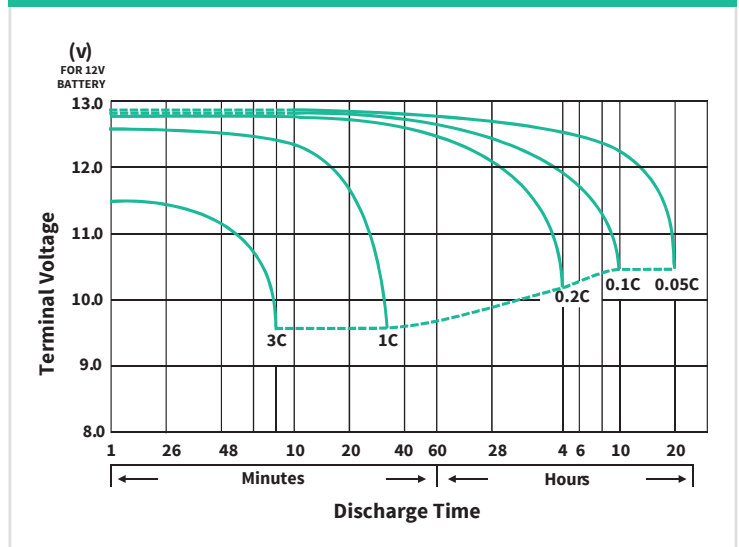
FV/TIME	3 Min	5 Min	10 Min	15 Min	20 Min	25 Min	30 Min	45 Min	60 Min
1.80V/cell	405,0	316,0	222,0	177,0	152,0	132,0	118,0	91,4	72,6
1.75V/cell	425,0	334,0	240,0	188,0	163,0	141,0	123,0	94,3	74,4
1.70V/cell	453,0	354,0	258,0	196,0	166,0	142,0	126,0	96,4	76,0
1.67V/cell	466,0	384,0	270,0	200,0	170,0	144,0	128,0	97,7	76,2
1.65V/cell	488,0	389,0	274,0	203,0	171,0	148,0	130,0	100,0	76,3
1.60V/cell	497,0	391,0	275,0	204,0	172,0	149,0	131,0	101,0	76,4

*: Battery consists of 6 cells

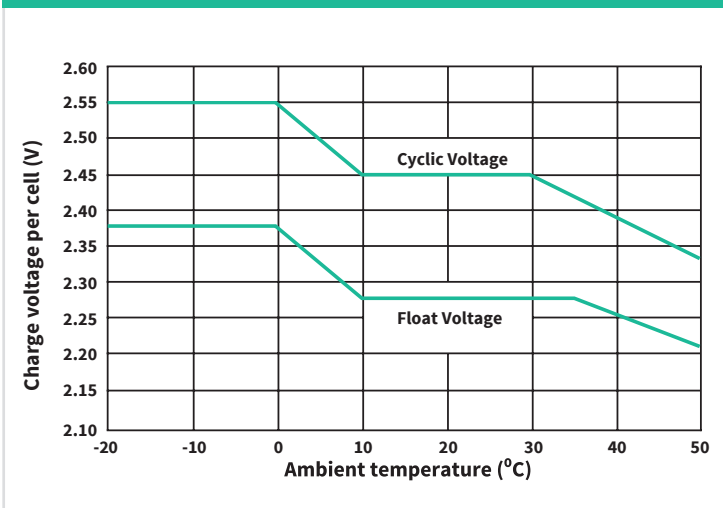
Charge characteristics



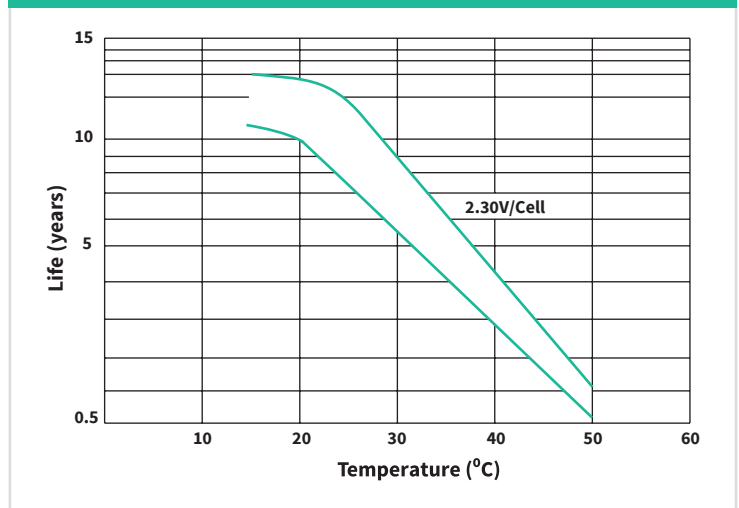
Discharge characteristics



Charge voltage in relation to temperature



Service life in relation to temperature



Models available

Model	Voltage	Capacity (Ah)	Dimensions (mm)	Weight (kg)
CPH 5-12	12	5	90x70x107	1.90
CPH 55-12	12	55	229x138x213	17.00
CPH 80-12	12	80	258x166x215	24.50
CPH 95-12	12	95	306x170x225	29.20
CPH 110-12	12	110	339x173x220	31.50
CPH 140-12	12	140	341x173x283	39.50
CPH 150-12	12	150	341x173x283	41.00

Cellpower family

Cellpower supplies a broad range of reliable AGM, GEL and Lithium batteries. Each product series has its own unique characteristics, so that there is a suitable battery for every application with its associated specific usage profile. Combined with the right Cellpower battery accessories, you are able to assemble a high-quality and reliable battery system.

The sealed, maintenance-free AGM lead battery type has a long operational lifetime. When used correctly, the Absorbed Glass Mat (AGM) technology offers dependable, lasting service. Additionally, AGM batteries exhibit very little self-discharge when compared with other lead-acid batteries. Sealed lead-acid batteries require low maintenance and do not need to be refilled with water or other liquids.

