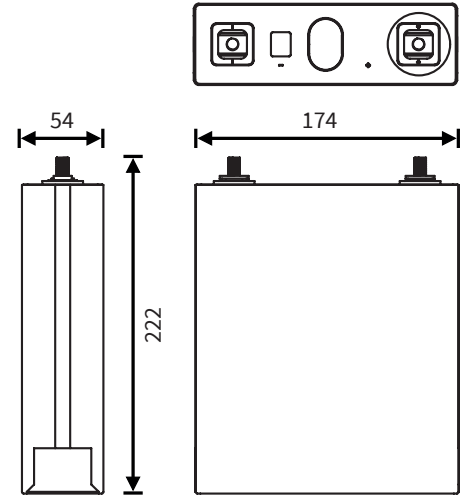
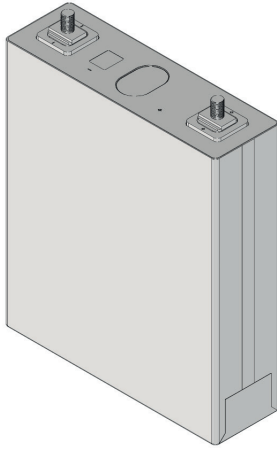


## CLPL 206-3.2HE SINGLE CELL

Cellpower Professional Lithium (5000 cycles)



### Typical applications

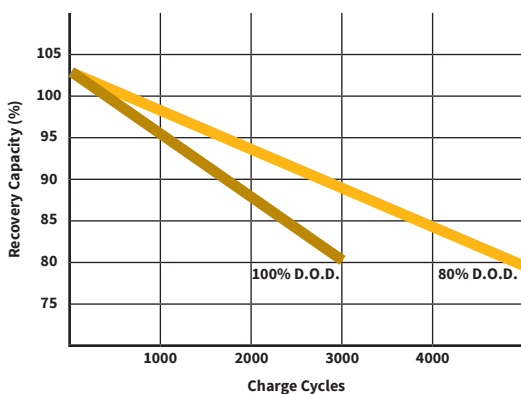
- High power electric vehicles
- Solar and wind energy storage
- Wheelchairs and scooters
- Golf trolleys and buggies
- Lifts, elevators and hoists
- Electric bikes and steps
- Tools

### Features

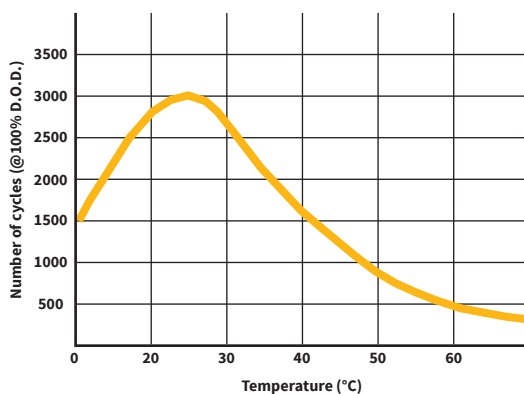
- Lightweight
- Designed for extreme cyclic use
- Designed for high drain / high current applications
- Cell terminals protected with cap
- Lithium iron phosphate chemistry
- Can be used in any orientation
- Maintenance free

Nominal voltage	3.2 V
Rated capacity	206Ah
Internal resistance	≤0.4mΩ (fully charged)
Maximum discharge current	103 A (Standard continuous)
	206 A (Max. continuous)
	412A (Max. peak 10s)
Number of cycles	5000 (80% D.O.D.)
Charge temperature range	0°C ~ 60°C
Discharge temperature range	-20°C ~ 60°C
Standard terminal	M8 (Stud)
Dimensions Length	174 mm
Dimensions Width	54 mm
Dimensions Height (incl. terminals)	222 mm
Approximate Weight	4.20 kg

### Discharge characteristics



### Cycle life in relation to temperature



### Professional Lithium

Cellpower CLPL (Cellpower Lithium Professional Line) batteries are custom made to meet customer specific requirements. Thanks to the Lithium technology, CLPL batteries can perform under the most demanding circumstances, are lightweight, compact and are able to do up to 10 times more cycles than conventional cyclic AGM batteries.