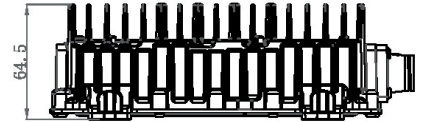
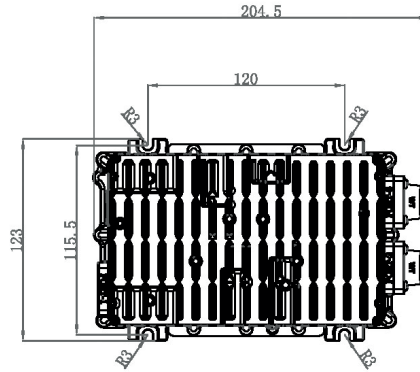
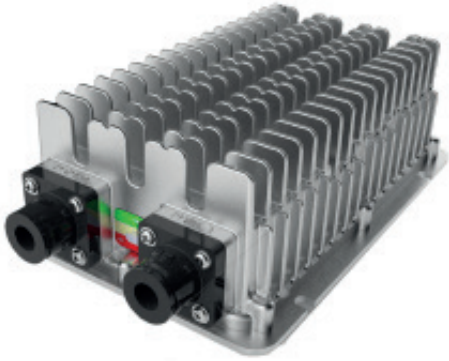


CCL 24-10W

Lithium battery charger (24 Volt)



Typical applications

- Mobility scooters
- Electric wheelchairs
- Electric vehicles
- E-bikes
- Lawn mowers
- Golfcarts
- Medical equipment
- Recreational vehicles

Features

- Lithium battery charger
- Intelligent charging
- High efficiency
- IP67 Rated housing
- LED charge and status indicator

Nominal voltage	24 V
Battery capacity	20 - 100 Ah
Maximum charging current	10 A
Maximum charging voltage	29.2 V
Maximum power	300 W
Output connector	SB50
Input voltage	85 - 264 V
Operational temperature range	-30°C ~ 65°C
Storage temperature range	-40°C ~ 95°C
Dimensions Length	205 mm
Dimensions Width	123 mm
Dimensions Height	65 mm
Approximate Weight	1.20 kg
Packing	1 pcs/box
Safety	IEC60335-2-29:2016
EMC	EN55014-1:2006/A2:2011, EN61000-3-2:2014, EN61000-3-3:2013
Protection functions	Over current protection, Input under voltage protection, Output short circuit protection, Reversed polarity protection, No-load protection, Over temperature protection, Temperature compensated charging voltage, Passive cooling

Cellpower family

Cellpower supplies a broad range of reliable AGM, GEL and Lithium batteries. Each product series has its own unique characteristics, so that there is a suitable battery for every application with its associated specific usage profile. Combined with the right Cellpower battery accessories, you are able to assemble a high-quality and reliable battery system.

The Lithium batteries of Cellpower combine unparalleled cyclic performance with a light weight and compact dimensions. These advantages over AGM or GEL batteries make Lithium batteries a very compelling choice for a wide range of applications. They offer more power for a longer period of time.

